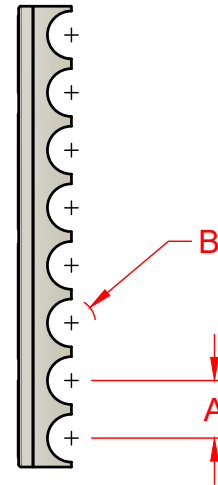
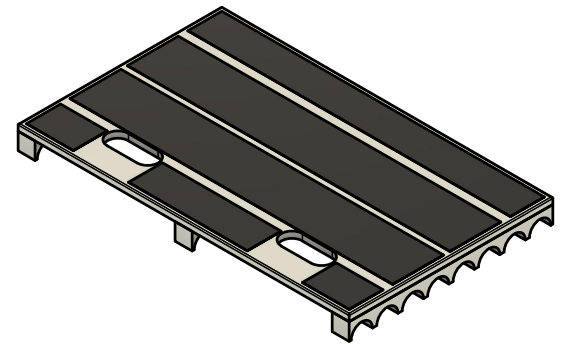
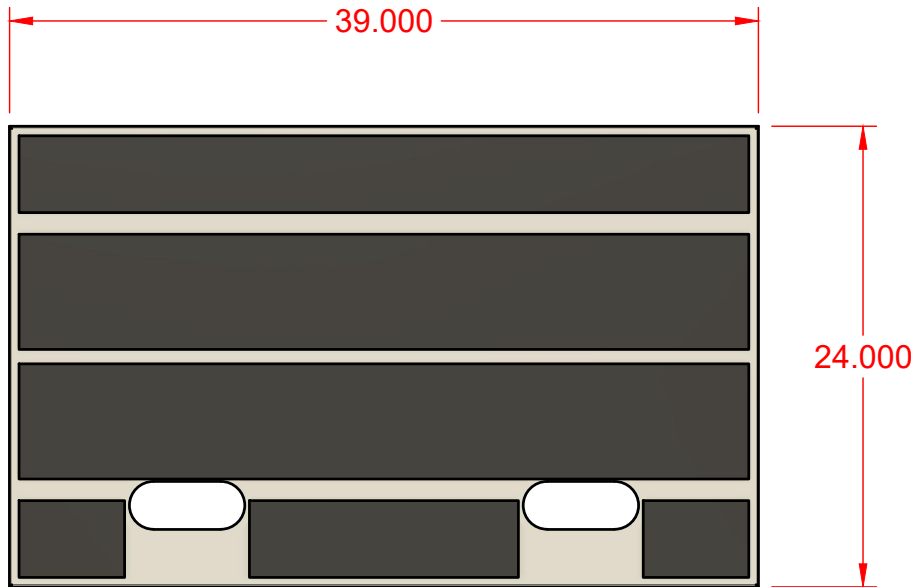


STYLE B



- A) CENTER TO CENTER DISTANCE OF ROLLERS _____
B) OUTSIDE DIAMETER OF ROLLERS _____
C) QUANTITY OF PLATFORMS NEEDED _____